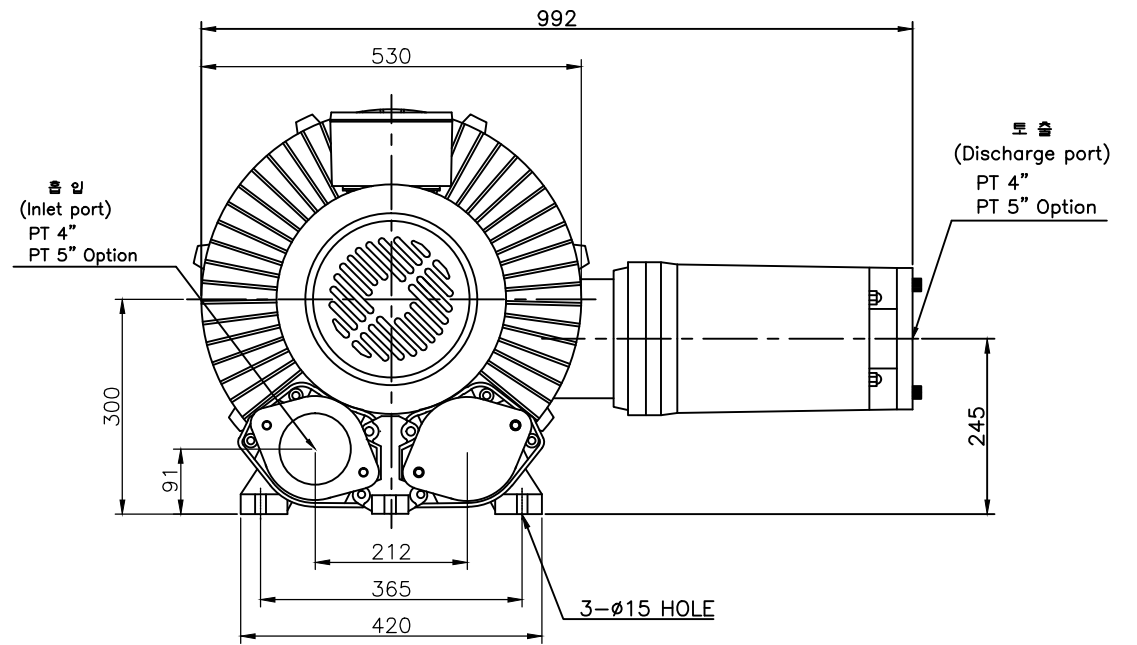
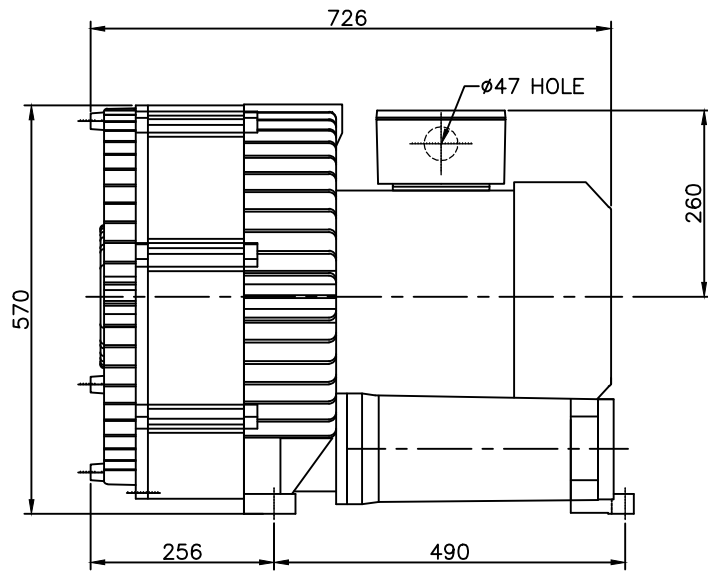


NOTE 1)



△							00					
No.	Revision					Date	Draw	Check	Appr.			
형식 TYPE	HRB-1302MH			도명 TITLE	OUTWARD DWG.							
DRAWN	DESIGN	CHECKED	APPROVED	3RD ANGLE	SCALE:1/1	UNIT:mm						
B.S.Kim				SIZE	3 $\phi$ 2P 15.5Kw							
14.06.17												
黃海電機 HWANG HAE ELECTRIC				도번 DWG. No	BOD00253			△				