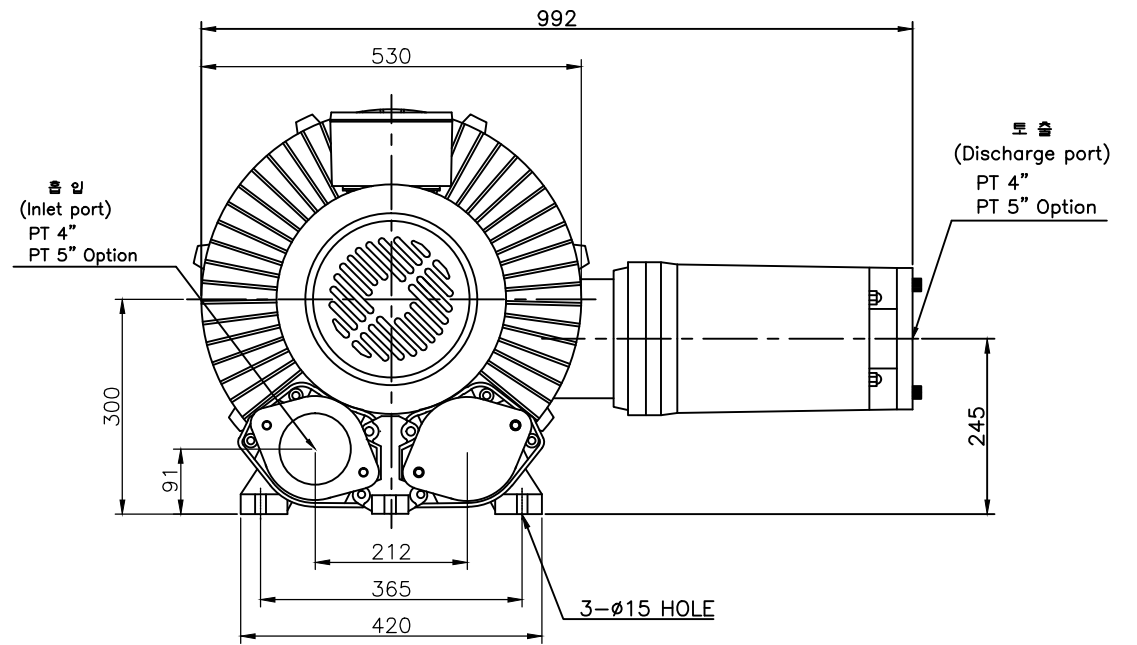
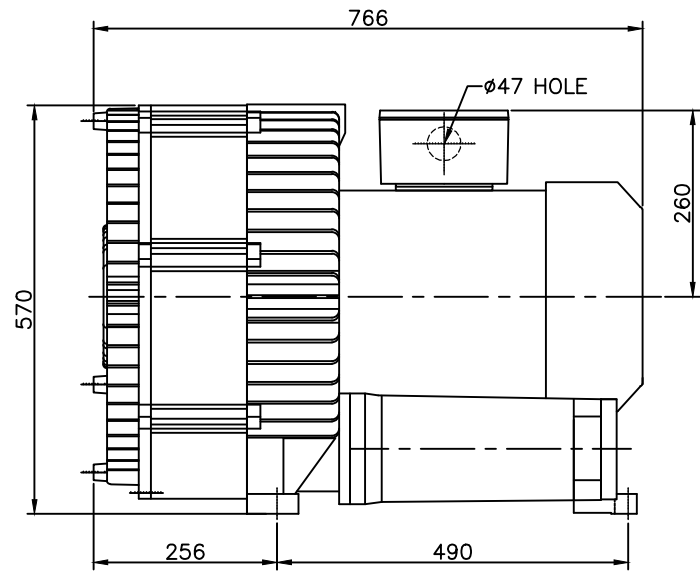


NOTE 1)



△							00					
No.	Revision					Date	Draw	Check	Appr.			
형식 TYPE	HRB-1502			도명 TITLE	OUTWARD DWG.							
DRAWN	DESIGN	CHECKED	APPROVED	3RD ANGLE	SCALE:1/1	UNIT:mm						
B.S.Kim				SIZE	3 ϕ 2P 26.8Kw							
13.04.22					도번 DWG. No		BOD00113			△		
黃海電機 HWANG HAE ELECTRIC												