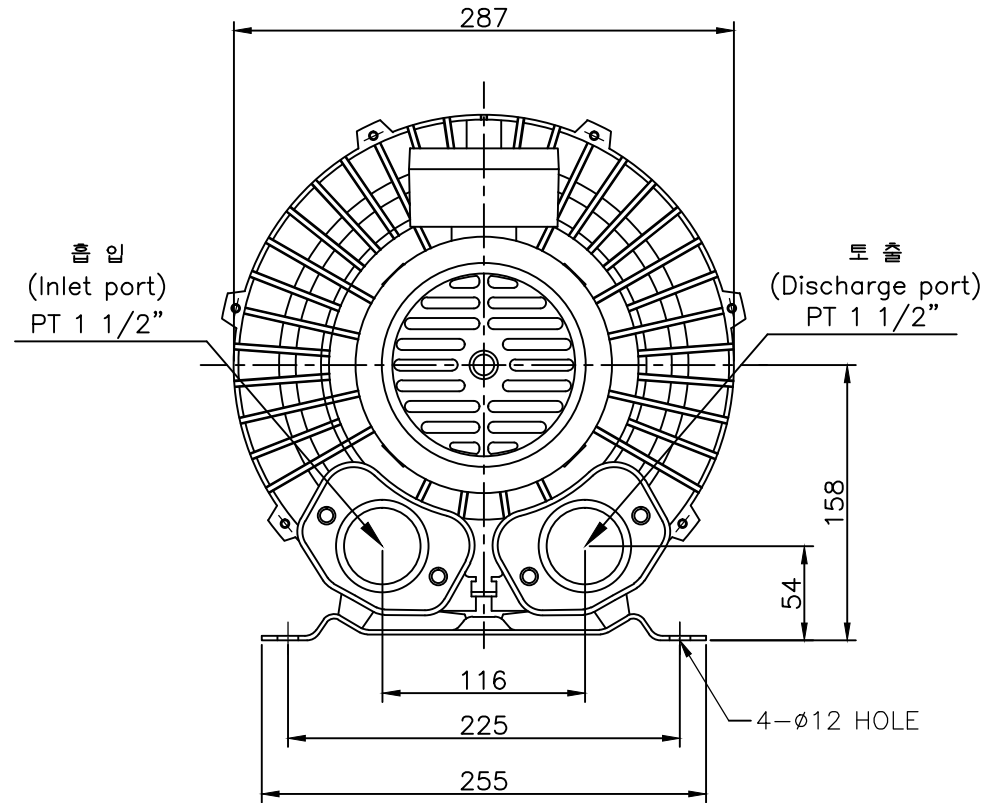
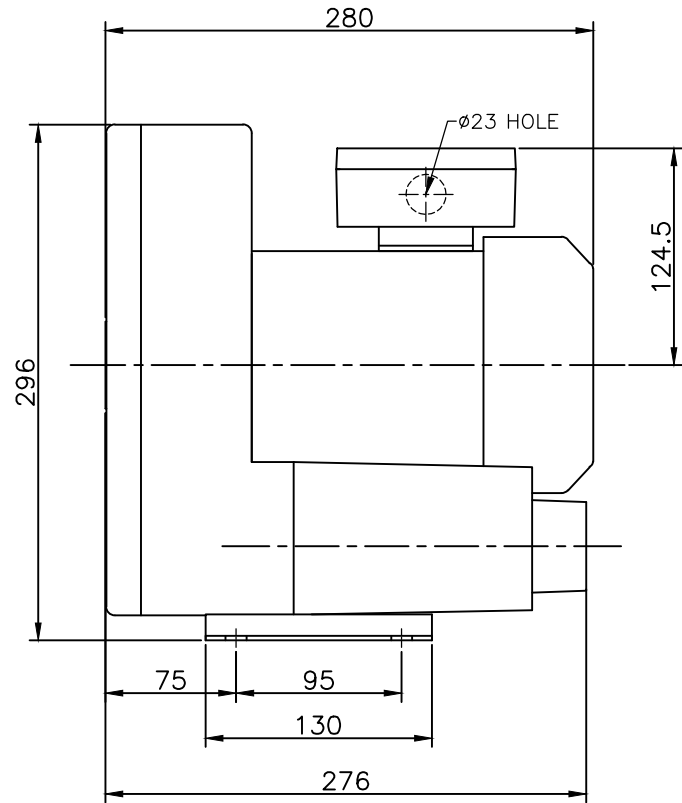


NOTE 1)

| No. | PART NAME | MATERIAL | Qt'y | SIZE | REMARK |
|-----|-----------|----------|------|------|--------|
| 01  |           |          |      |      |        |



| No.                        | Revision |         |             |               | Date         | Draw    | Check | Appr. |
|----------------------------|----------|---------|-------------|---------------|--------------|---------|-------|-------|
| 형식<br>TYPE                 | HRB-200  |         | 도명<br>TITLE | OUTWARD DWG.  |              |         |       |       |
| DRAWN                      | DESIGN   | CHECKED | APPROVED    | 3RD ANGLE     | SCALE:1/1    | UNIT:mm |       |       |
| B.S.Kim                    |          |         |             | SIZE          | 3Ø 2P 0.93Kw |         |       |       |
| 13.04.22                   |          |         |             |               |              |         |       |       |
| 黃海電機<br>HWANG HAE ELECTRIC |          |         |             | 도번<br>DWG. No | BOD00093     |         |       |       |