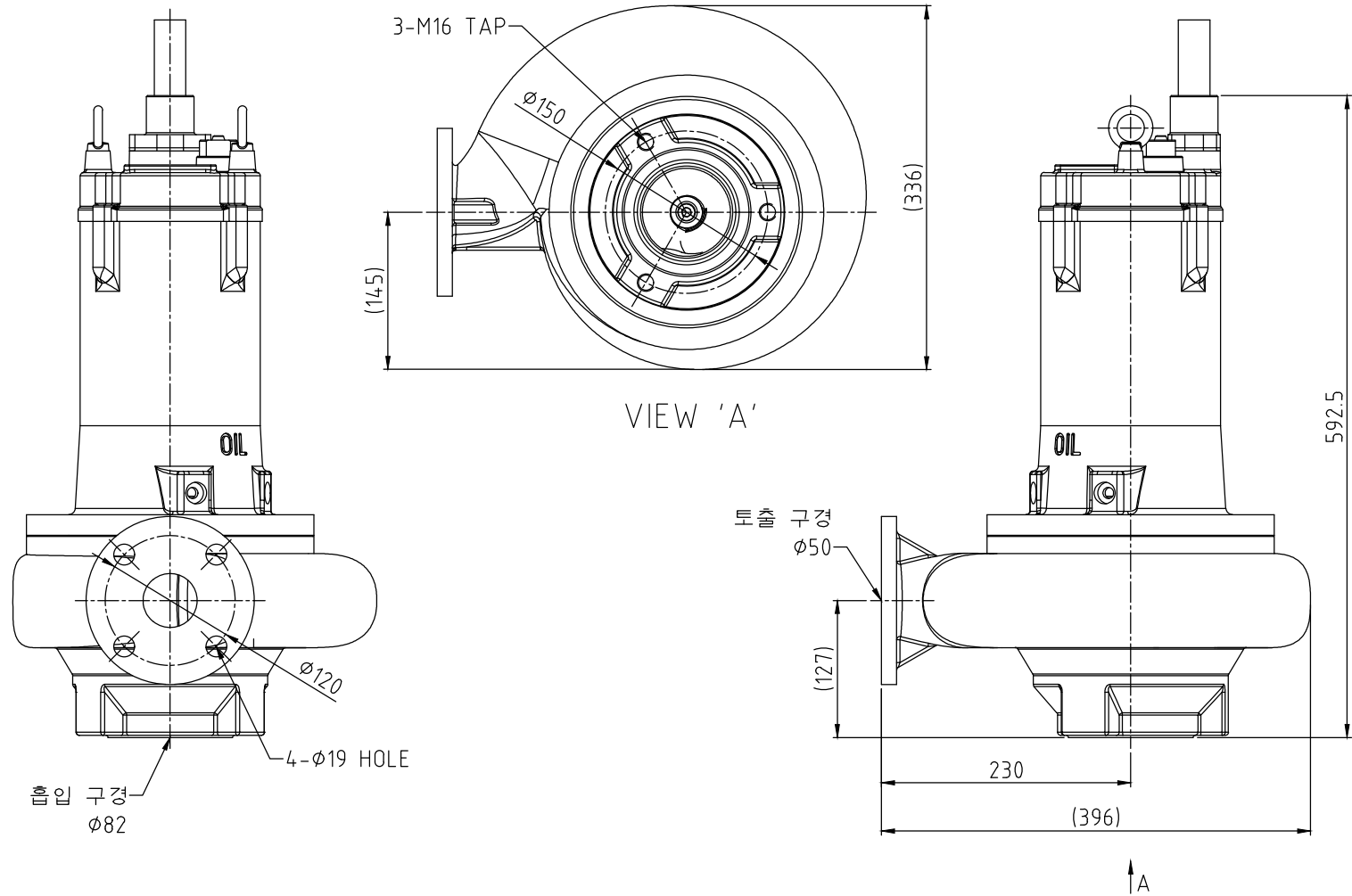




NOTE 1) 0.75kW 4P (82-50) 적용
 2) 윤활유: TUNBINE OIL / ISO VG32 - 500ml

| No. | PART NAME | MATERIAL | Qt'y | SIZE | REMARK |
|-----|-----------|----------|------|------|--------|
| 01 | | | | | |
| 02 | | | | | |



| 형식 TYPE | 고효율 저진동 단일채널 수중펌프 | | | 도명 TITLE | 외형도 (Outline Drawing) | |
|---|----------------------|---------|----------|----------------|--------------------------|---|
| DRAWN | DESIGN | CHECKED | APPROVED | 3RD ANGLE | SCALE:1/NS | UNIT:mm |
| H.S.Noh | | | | | | |
| 21.04.22 | | | | | | |
| | | | | SIZE | HWP50-0.75 4P (82-50) | |
|  黃海電機 HWANG HAE ELECTRIC | | | | 도번 DWG. No. | POD00041 |  |