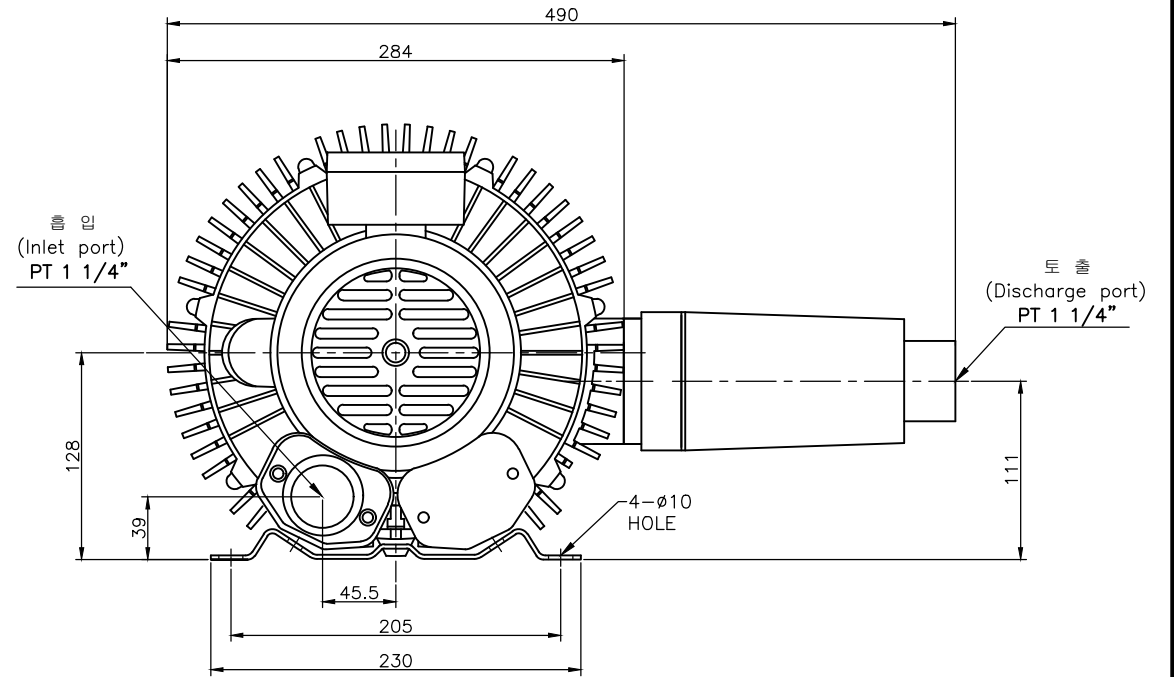
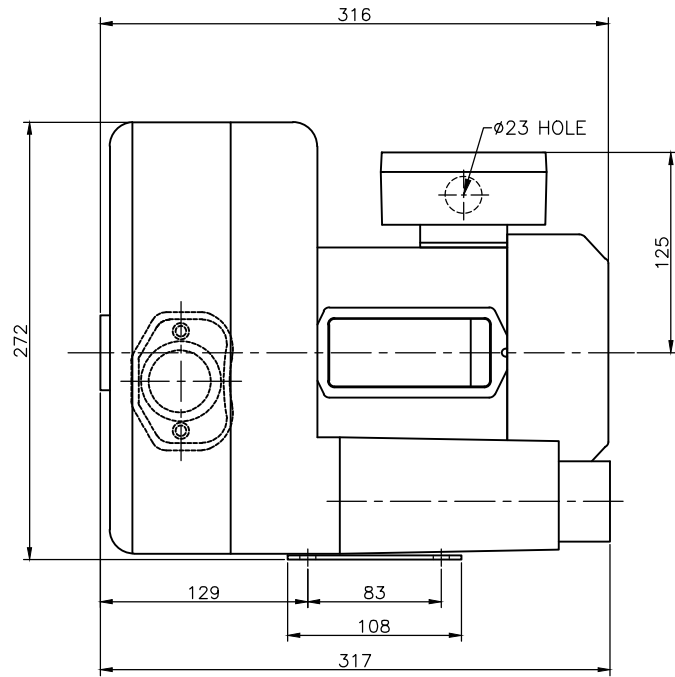



NOTE 1)



No.						Revision		Date		Draw	Check	Appr.
00												
형식 TYPE		HRB-102-1				도명 TITLE		OUTWARD DWG.				
DRAWN	DESIGN	CHECKED	APPROVED	3RD ANGLE	SCALE:1/1	UNIT:mm						
B.S.Kim					SIZE	1Ø 2P 0.4Kw						
09.06.25												
 황해전기 HWANG HAE ELECTRIC						도번 DWG. No		BOD00149		