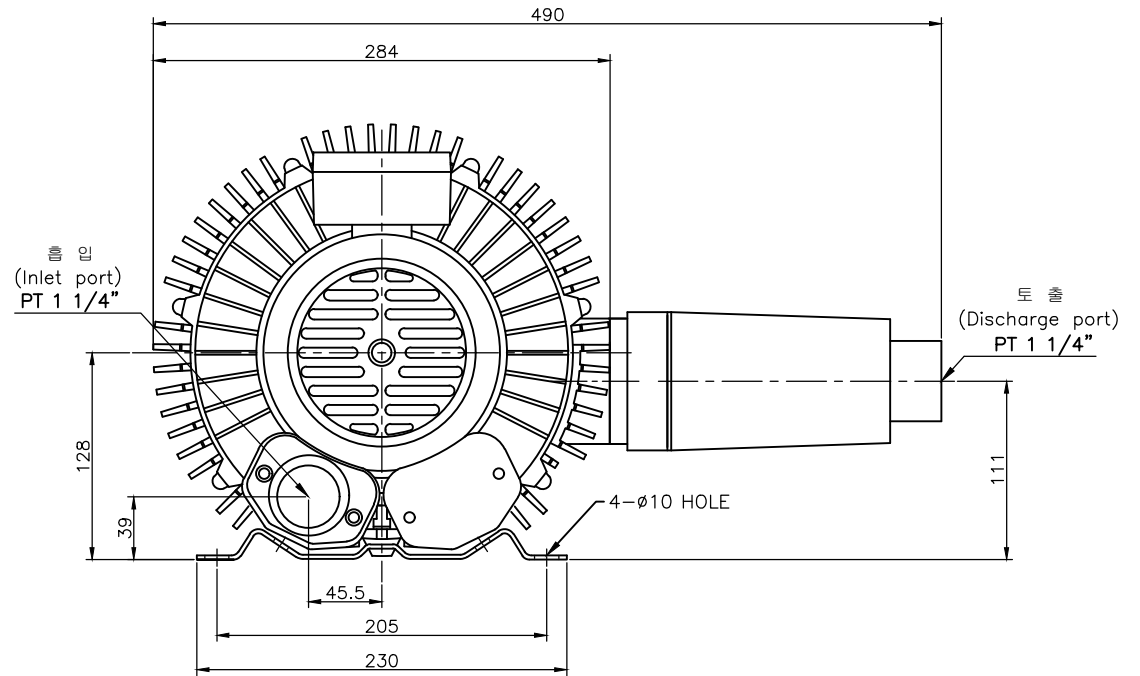
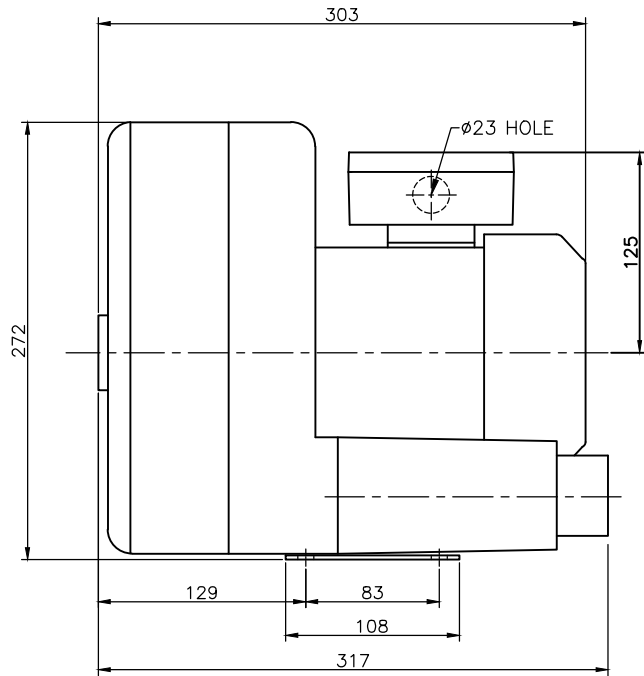


NOTE 1)

No.	PART NAME	MATERIAL	Qt'y	SIZE	REMARK
01					



△						00					
No.	Revision					Date	Draw	Check	Appr.		
형식 TYPE	HRB-102			도명 TITLE	OUTWARD DWG.						
DRAWN	DESIGN	CHECKED	APPROVED	3RD ANGLE	SCALE:1/1	UNIT:mm					
B.S.Kim				SIZE	3Ø 2P 0.5Kw						
13.04.22				도번 DWG. No	BOD00218				△		
黃海電機 HWANG HAE ELECTRIC											