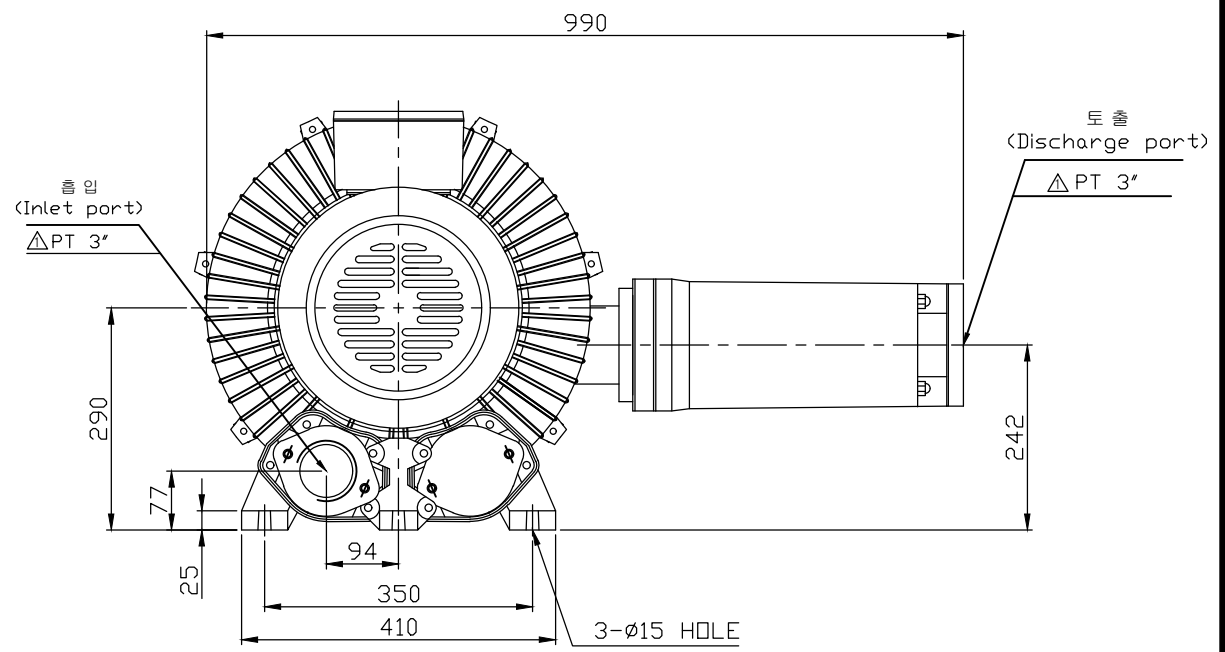
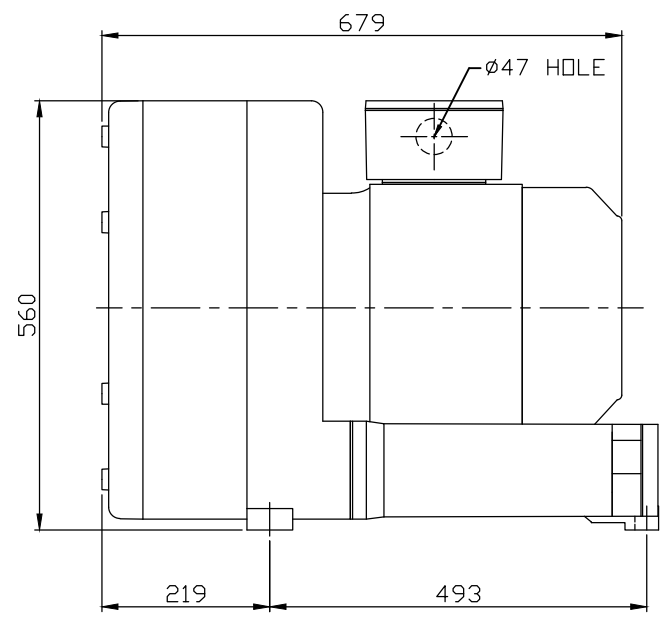


No.	PART NAME	MATERIAL	Qt'y	SIZE	REMARK
01					



△ 토출 플랜지 가공 여유 없어 PT 4" Option 제거				17.01.05			
No.	Revision			Date	Draw	Check	Appr.
형식 TYPE	HRB-1112MP			도명 TITLE	OUTWARD DWG.		
DRAWN	DESIGN	CHECKED	APPROVED	3RD ANGLE	SCALE:1/1	UNIT:mm	
B.S.Kim				SIZE	3∅ 2P 12.6Kw		
14.06.17				도번 DWG. No	BOD00287		△
黃海電機 HWANG HAE ELECTRIC							