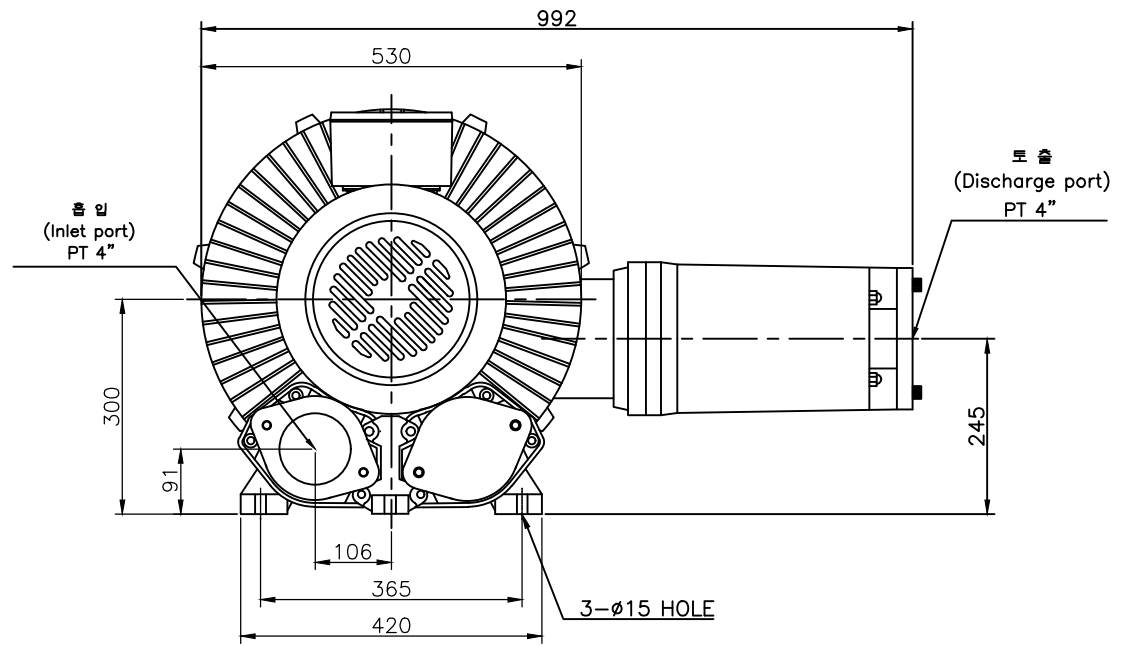
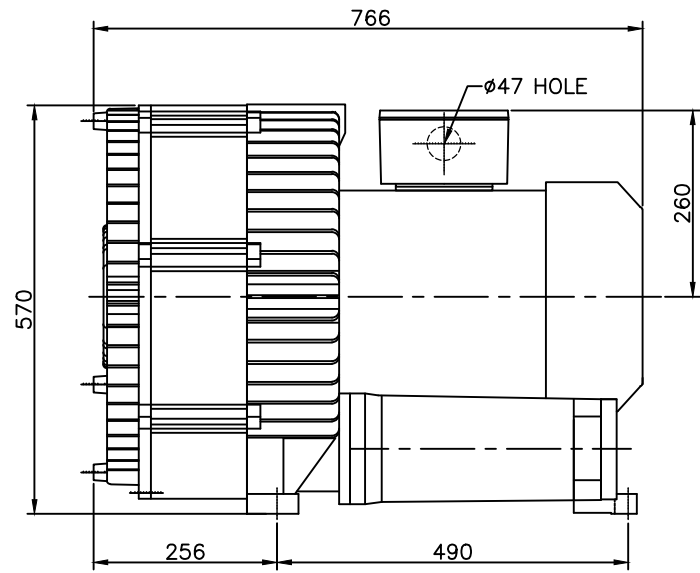


NOTE 1)



△						00					
No.	Revision					Date	Draw	Check	Appr.		
형식 TYPE	HRB-1402MP			도명 TITLE	OUTWARD DWG.						
DRAWN	DESIGN	CHECKED	APPROVED	3RD ANGLE	SCALE:1/1	UNIT:mm					
B.S.Kim				SIZE	3 $\phi$ 2P 18.5Kw						
17.03.09											
黃海電機 HWANG HAE ELECTRIC				도번 DWG. No	BOD00254			△			