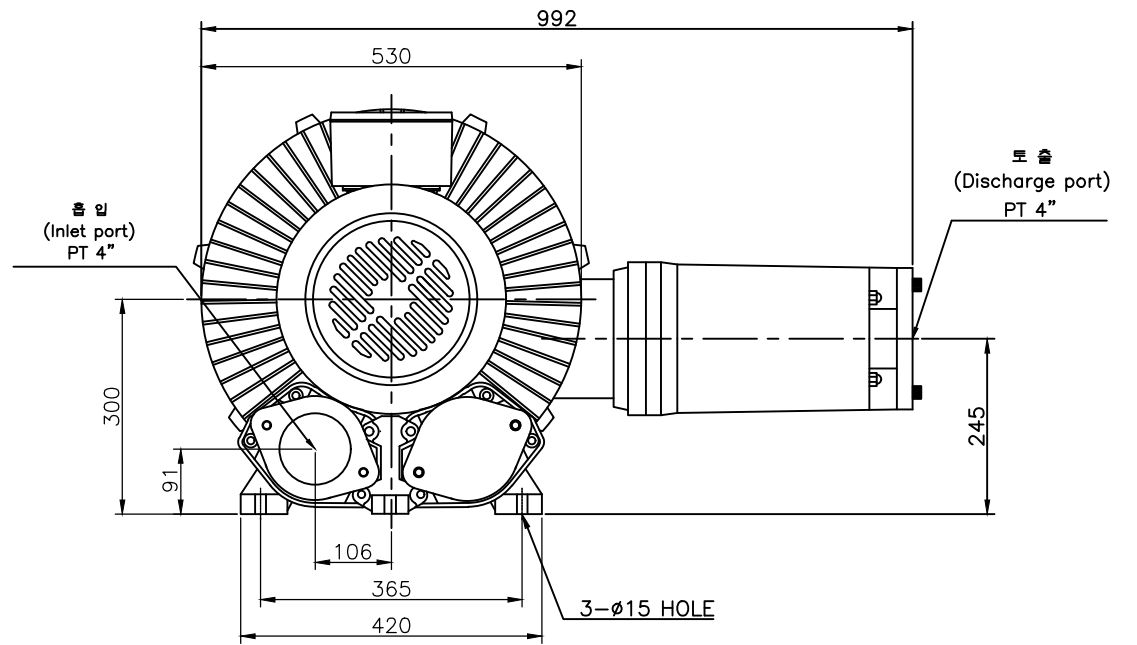
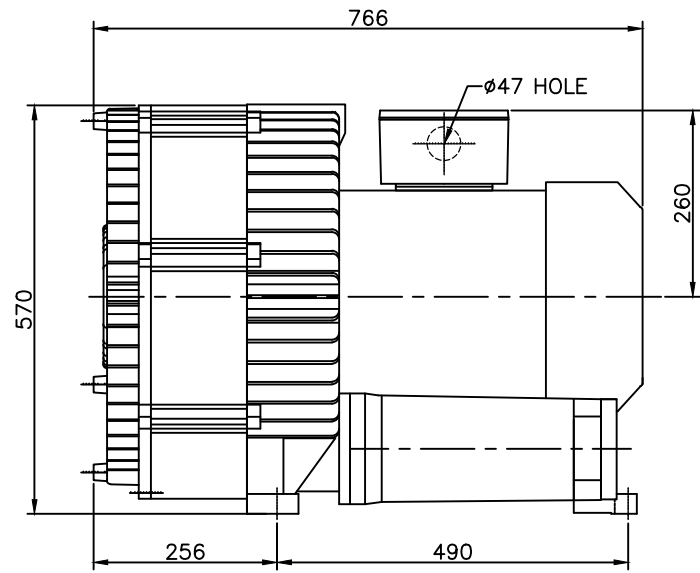


NOTE 1)



No.						Revision		Date		Draw	Check	Appr.
형식 TYPE		HRB-1502			도명 TITLE		OUTWARD DWG.					
DRAWN	DESIGN	CHECKED	APPROVED	3RD ANGLE	SCALE:1/1	UNIT:mm						
B.S.Kim					SIZE	3 $\phi$ 2P 26.8Kw						
17.03.09						도번 DWG. No		BOD00113				
黃海電機 HWANG HAE ELECTRIC												