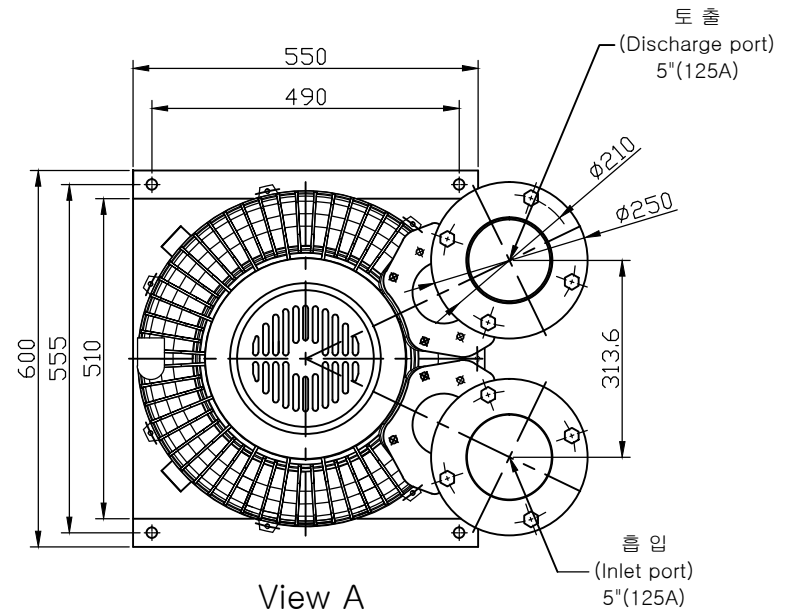
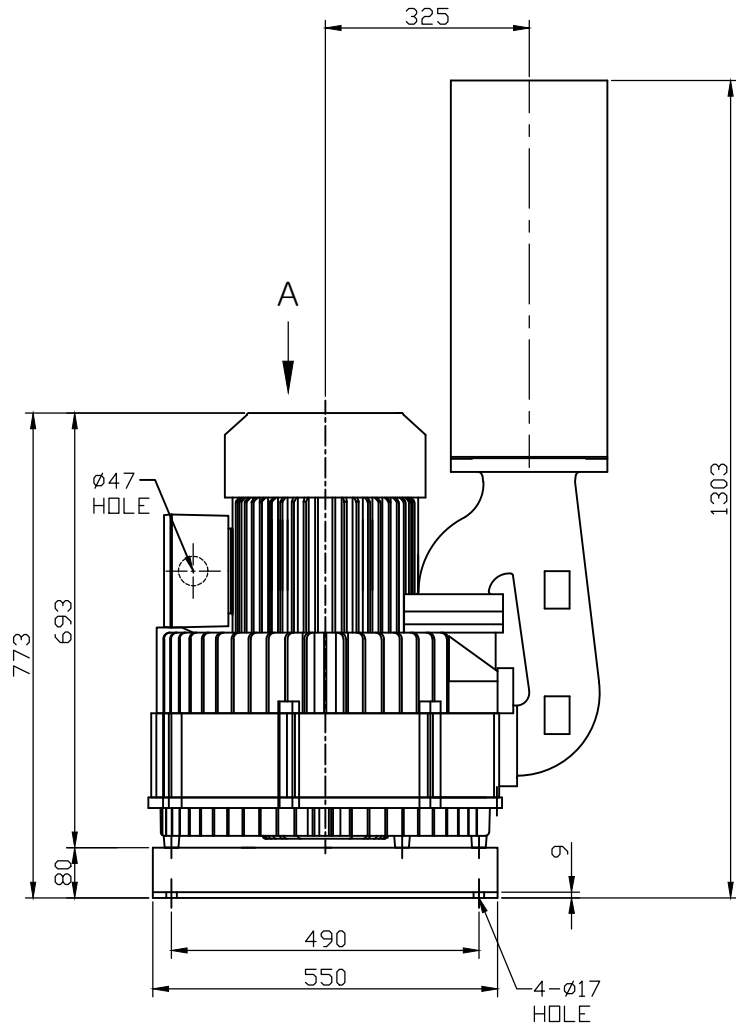



NOTE 1)



View A

△		00						
No.	Revision			Date	Draw	Check	Appr.	
형식 TYPE	HRBV-1503		도명 TITLE	OUTWARD DWG.				
DRAWN	DESIGN	CHECKED	APPROVED	3RD ANGLE	SCALE:1/1	UNIT:mm		
B.S.Kim				SIZE	3ø 2P 18.5Kw			
10.12.28								
 黃海電機 HWANG HAE ELECTRIC				도번 DWG. No	BOD00179		△	