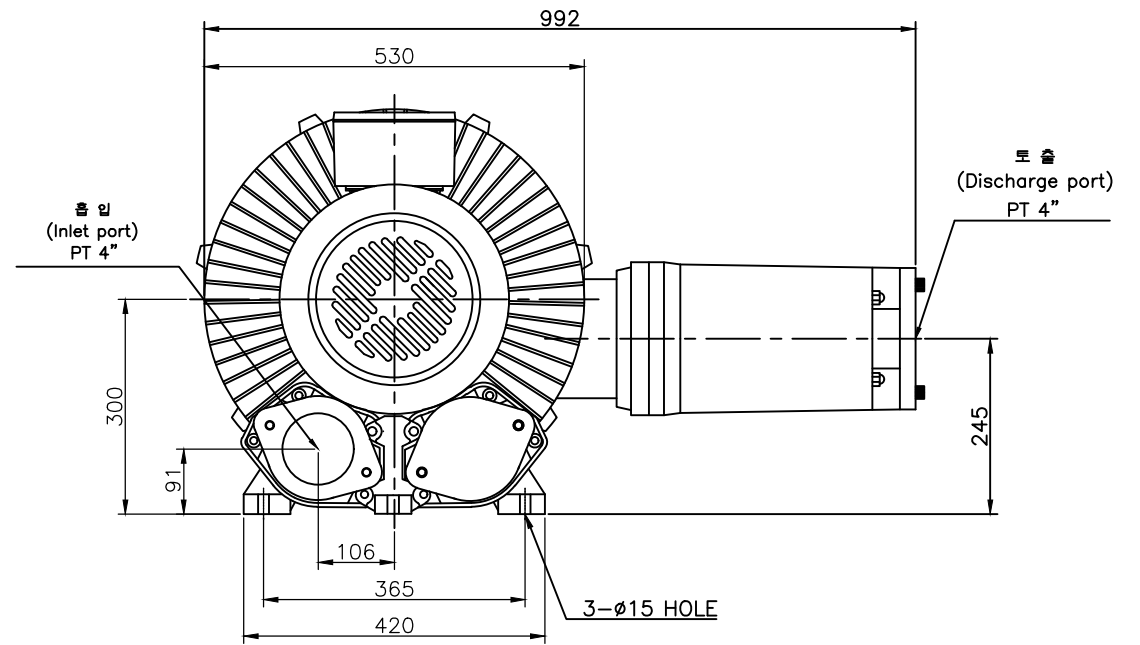
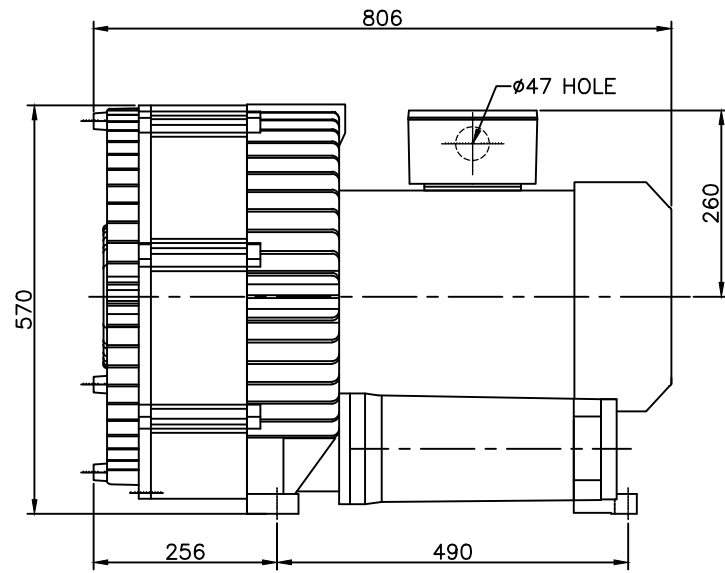


NOTE 1)



△						00			
No.	Revision					Date	Draw	Check	Appr.
형식 TYPE	HRB-1602MP		도명 TITLE	OUTWARD DWG.					
DRAWN	DESIGN	CHECKED	APPROVED	3RD ANGLE	SCALE:1/1	UNIT:mm			
B.S.Kim				SIZE	3 ϕ 2P 30kW				
17.03.09				도번 DWG. No	BOD00449		△		
黃海電機 HWANG HAE ELECTRIC									