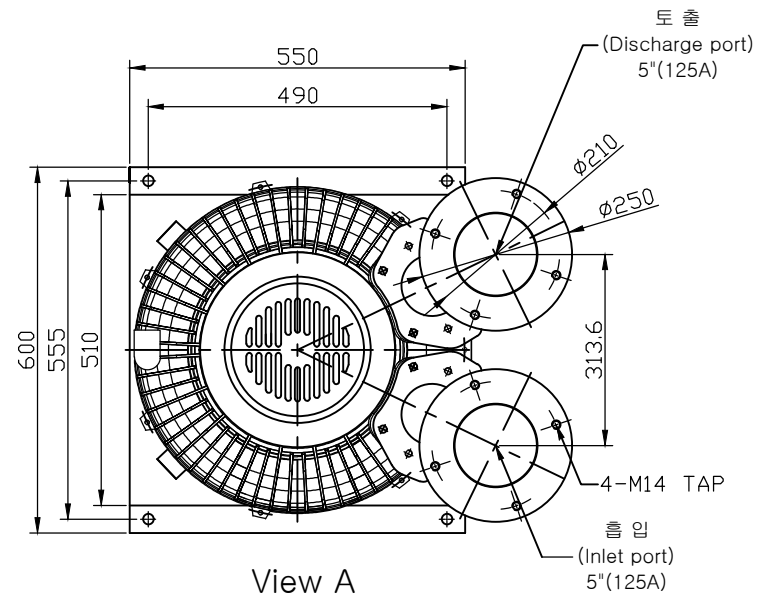
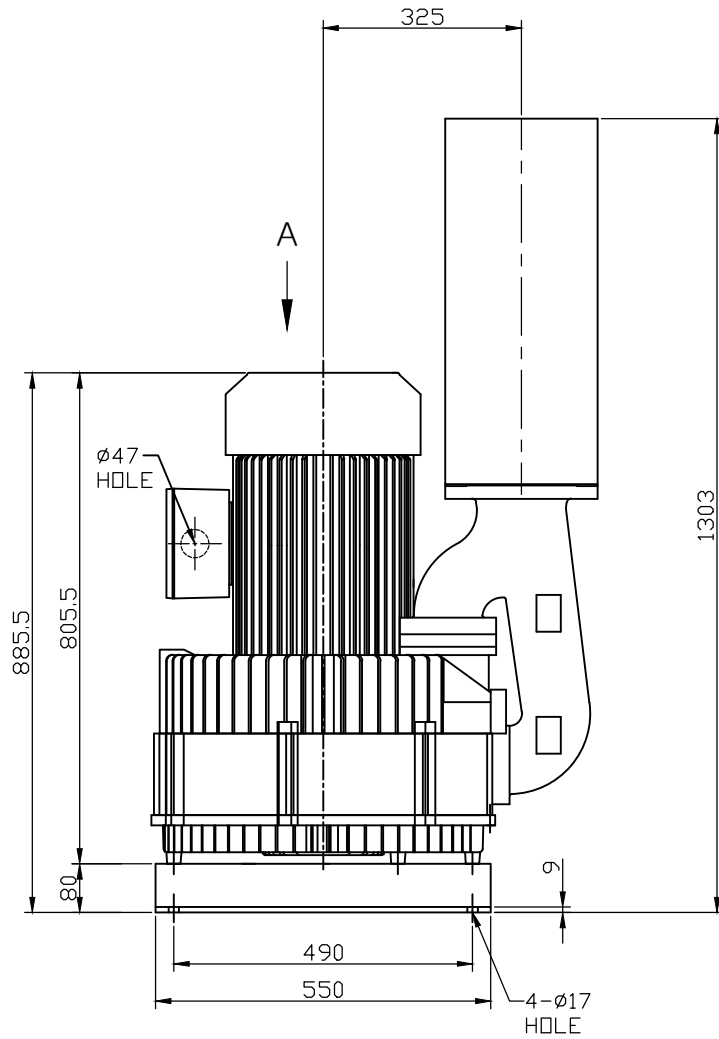


NOTE 1)



View A

△		Revision		00	Date	Draw	Check	Appr.
No.	HRB-1703MP			도명	OUTWARD DWG.			
형식 TYPE				도명 TITLE				
DRAWN	DESIGN	CHECKED	APPROVED	3RD ANGLE	SCALE:1/1	UNIT:mm		
B.S.Kim				SIZE	3ø 2P 30Kw			
11.05.11				도번	BOD00412		△	
황해전기 HWANG HAE ELECTRIC				도번 DWG. No.	BOD00412		△	