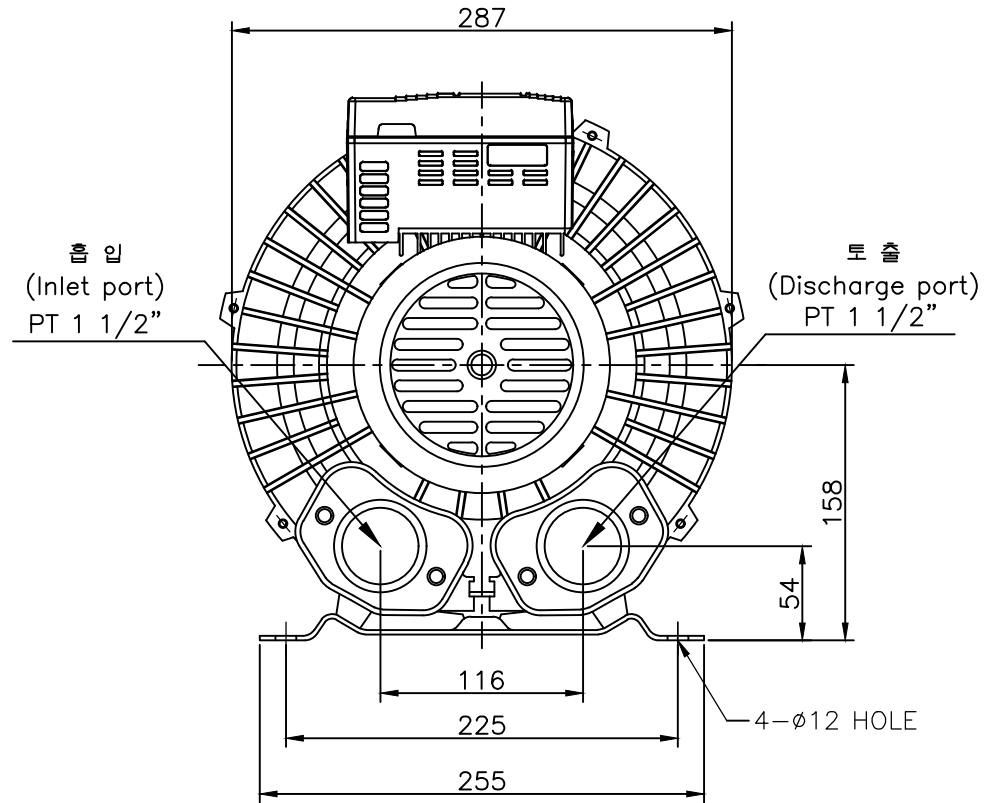
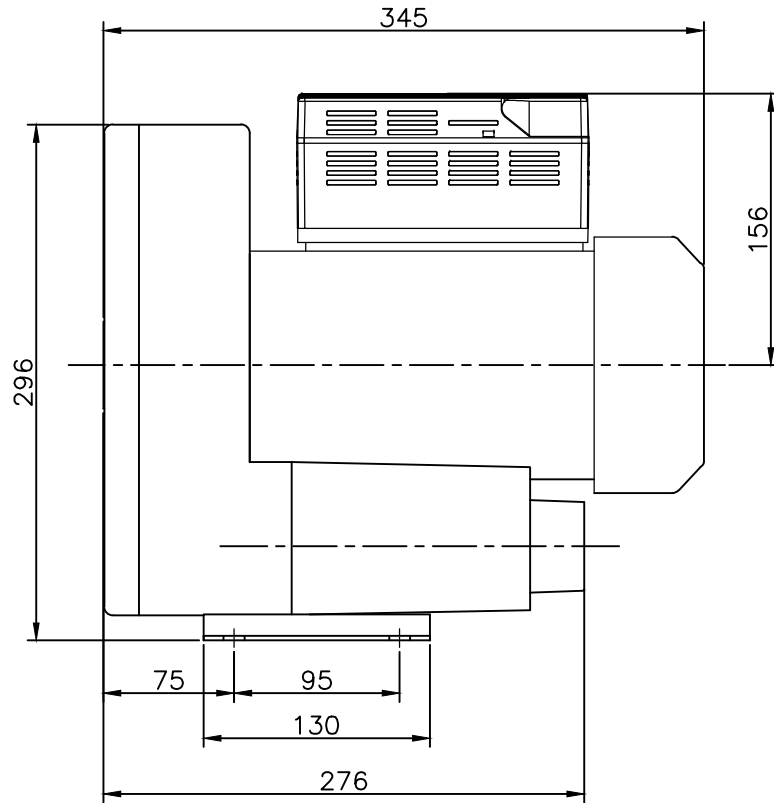


NOTE 1)

No.	PART NAME	MATERIAL	Qt'y	SIZE	REMARK
01					



No.	Revision				Date	Draw	Check	Appr.
형식 TYPE	HRB-200I		도명 TITLE	OUTWARD DWG.				
DRAWN	DESIGN	CHECKED	APPROVED	3RD ANGLE	SCALE:1/1	UNIT:mm		
B.S.Kim				SIZE	3Ø 2P 2.2Kw			
16.07.18				도번 DWG. No	BOD00426			△
黄海电机 HWANG HAE ELECTRIC								