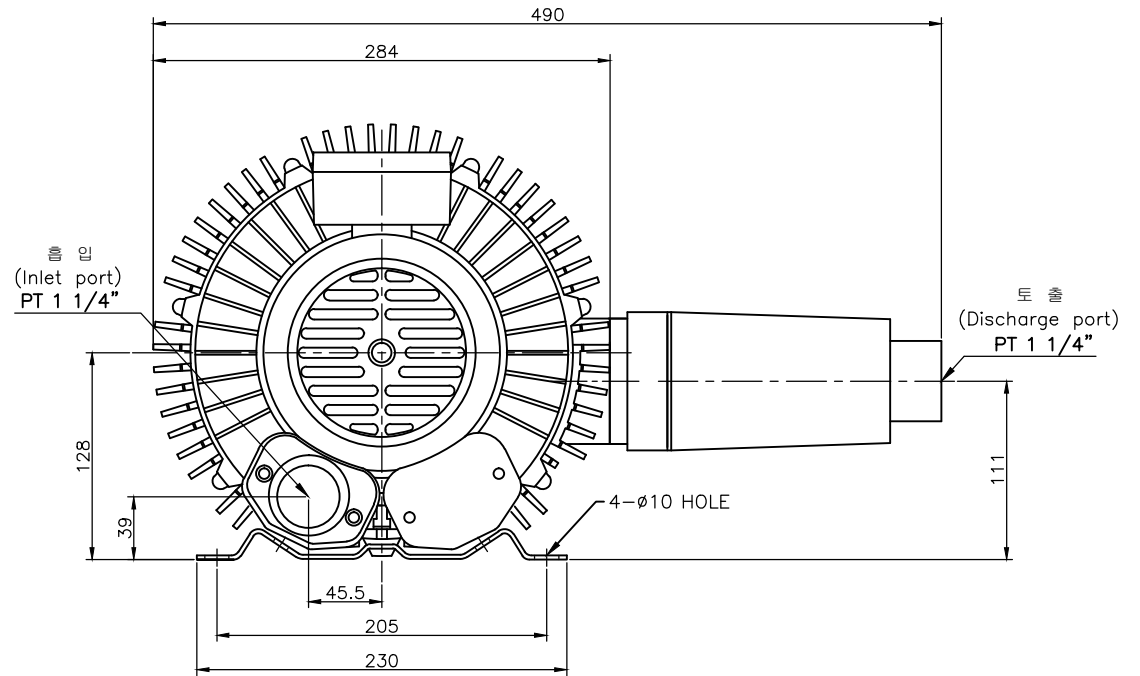
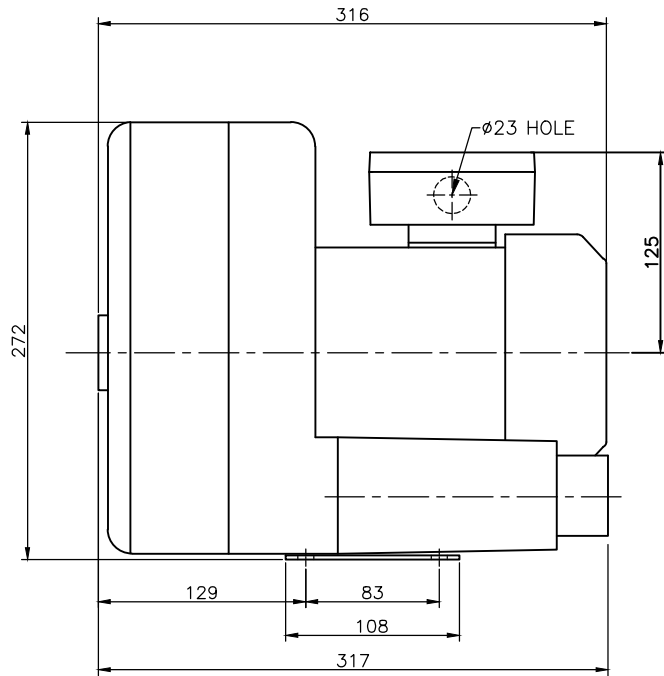


NOTE 1)

No.	PART NAME	MATERIAL	Qt'y	SIZE	REMARK
01					



No.						Revision		00		Date	Draw	Check	Appr.
형식 TYPE		HRB-202			도명 TITLE		OUTWARD DWG.						
DRAWN	DESIGN	CHECKED	APPROVED	3RD ANGLE	SCALE:1/1	UNIT:mm							
B.S.Kim					SIZE	3Ø 2P 0.93Kw							
13.04.22					도번 DWG. No	BOD00094							
黃海電機 HWANG HAE ELECTRIC													