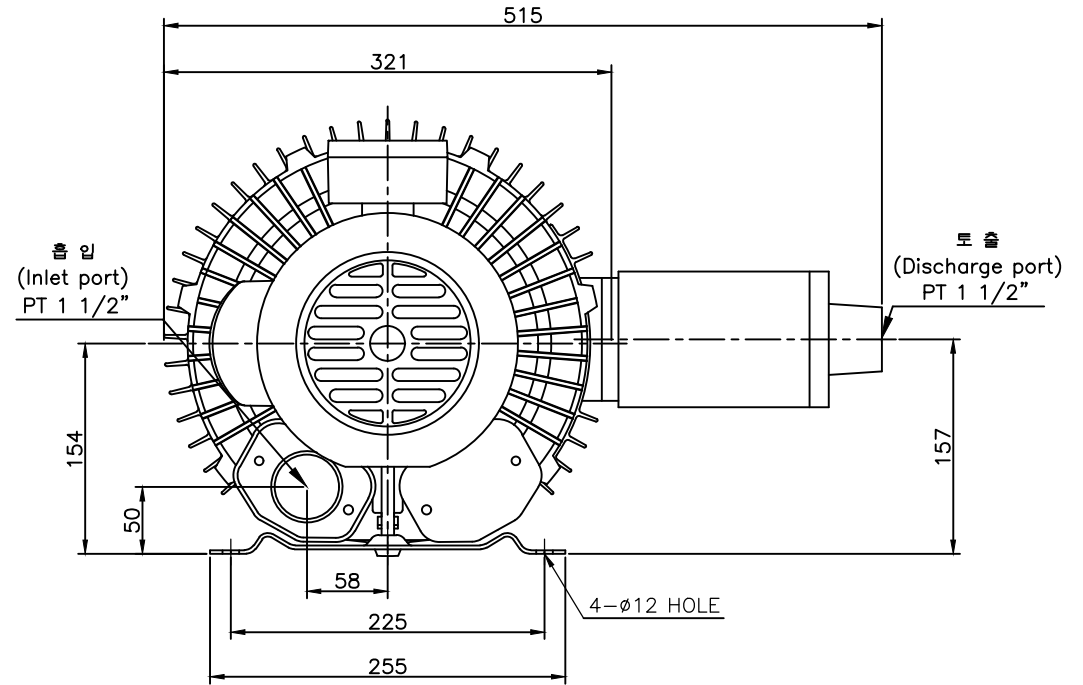
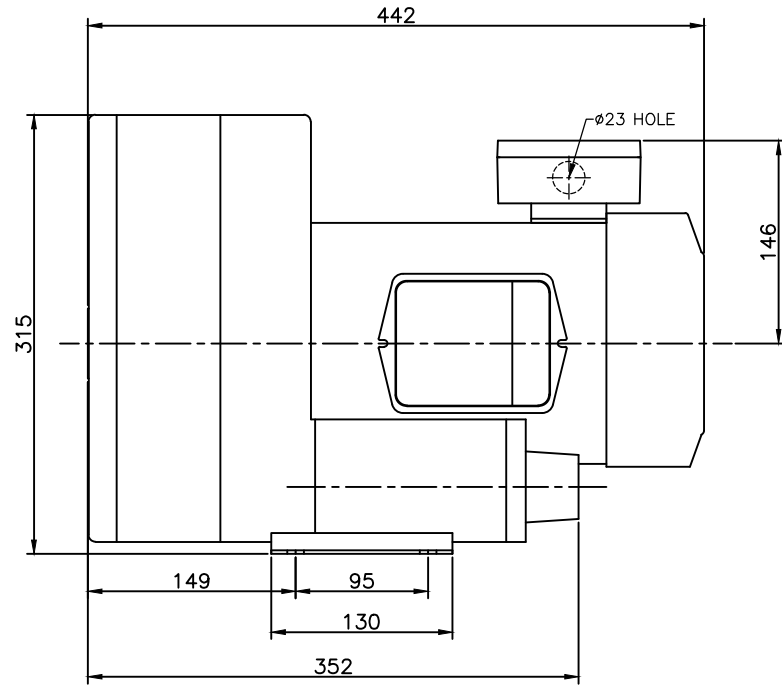


NOTE 1)



△						00					
No.	Revision					Date	Draw	Check	Appr.		
형식 TYPE	HRB-402S-1			도명 TITLE	OUTWARD DWG.						
DRAWN	DESIGN	CHECKED	APPROVED	3RD ANGLE	SCALE:1/1	UNIT:mm					
B.S.Kim				SIZE	1φ 2P 1.5Kw						
09.06.25											
黄海电机 HWANG HAE ELECTRIC				도번 DWG. No	BOD00152			△			