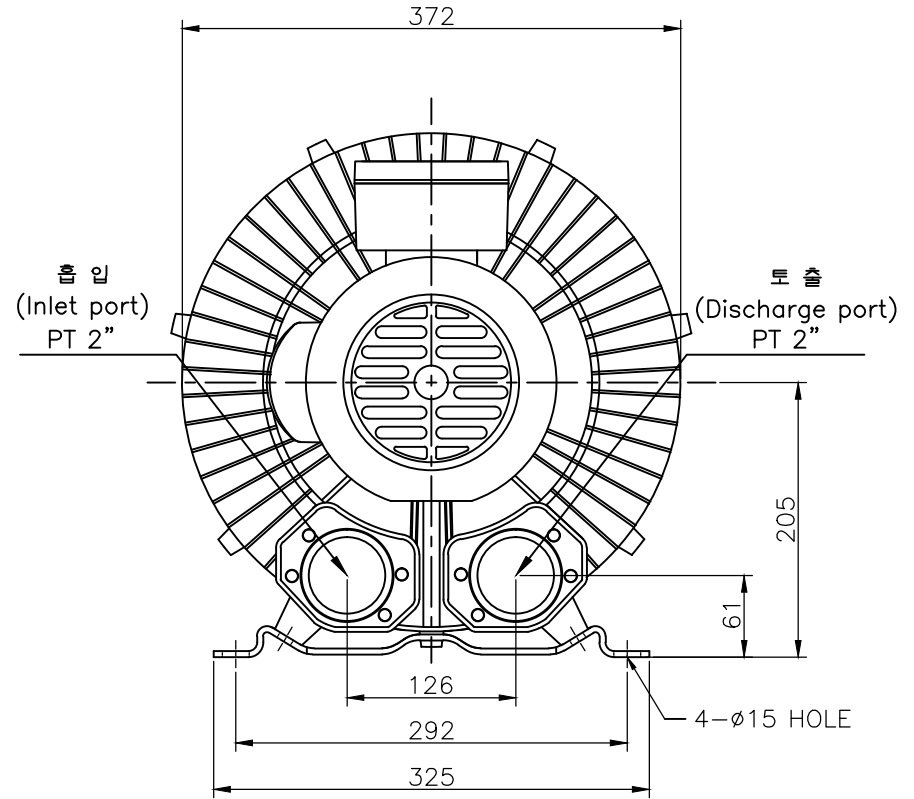
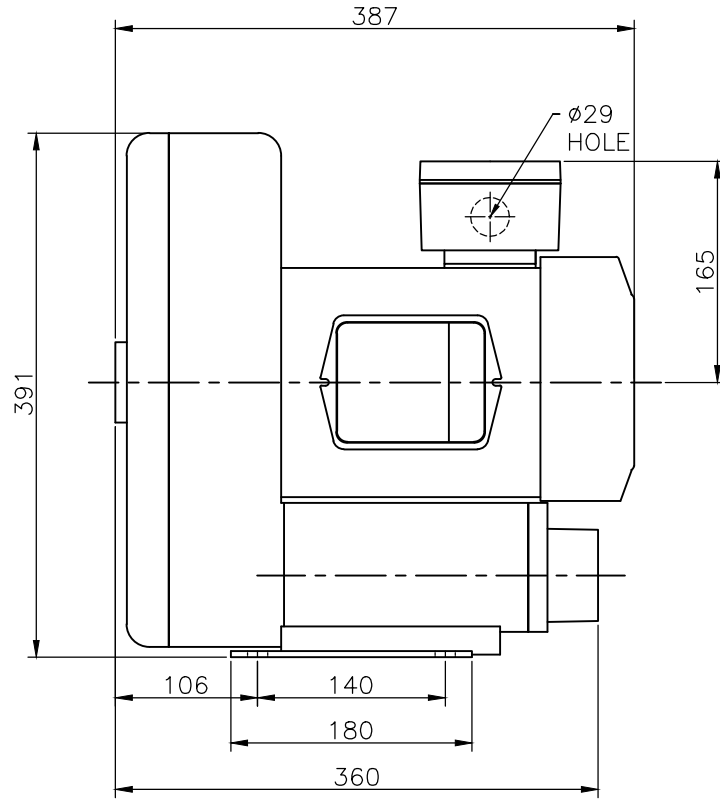


NOTE 1)



△		00					
No.	Revision			Date	Draw	Check	Appr.
형식 TYPE	HRB-501		도명 TITLE	OUTWARD DWG.			
DRAWN	DESIGN	CHECKED	APPROVED	3RD ANGLE	SCALE:1/1	UNIT:mm	
B.S.Kim				SIZE			
13.04.22							
黃海電機 HWANG HAE ELECTRIC				도번 DWG. No	BOD00000		△