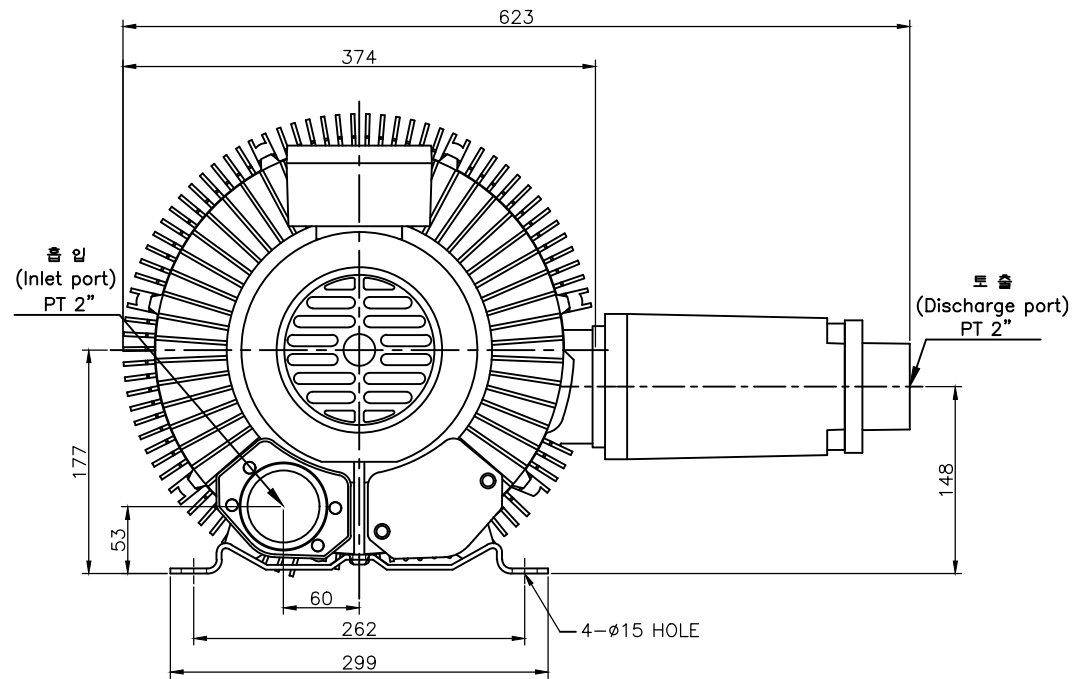
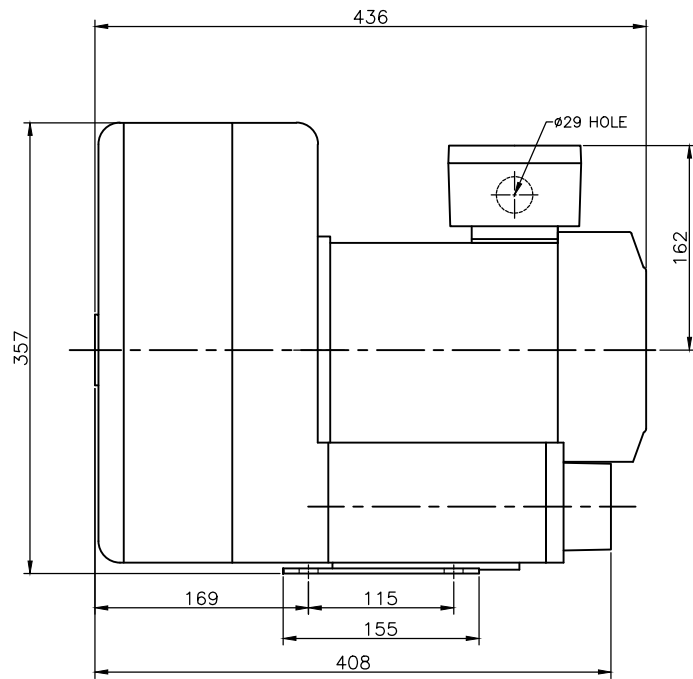


NOTE 1)

No.	PART NAME	MATERIAL	Qt'y	SIZE	REMARK
01					



△		Revision		00	Date	Draw	Check	Appr.
No.	HRB-502MP			도명	OUTWARD DWG.			
형식	TYPE			도명	TITLE			
DRAWN	DESIGN	CHECKED	APPROVED	3RD ANGLE	SCALE:1/1	UNIT:mm		
B.S.Kim				SIZE	3φ 2P 2.55Kw			
13.04.22				도번	BOD00165		△	
黃海電機 HWANG HAE ELECTRIC				도번	BOD00165		△	
				DWG. No.	BOD00165			