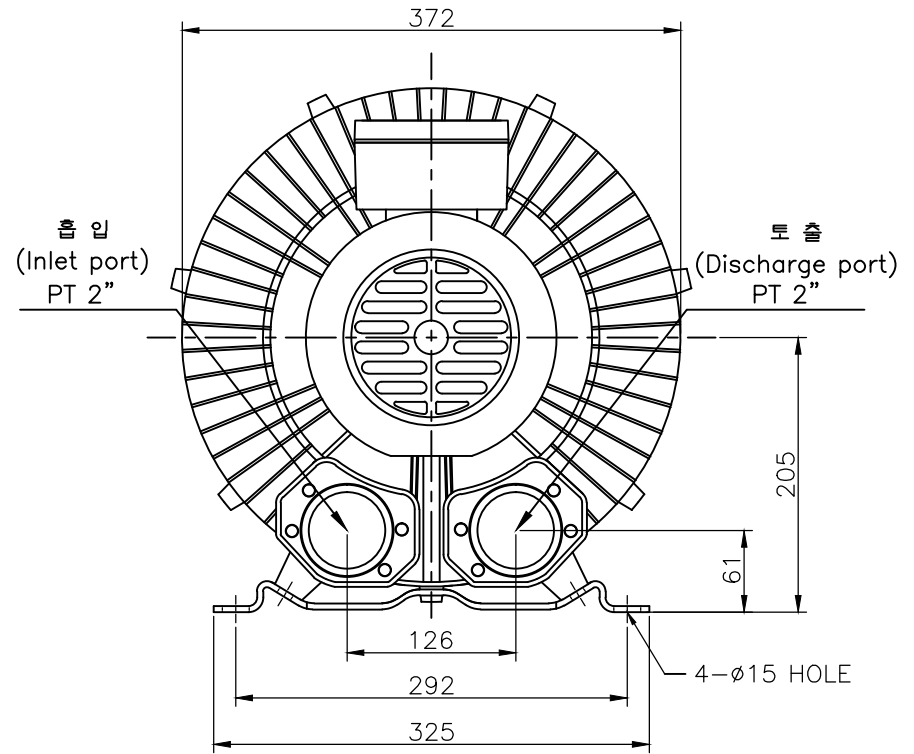
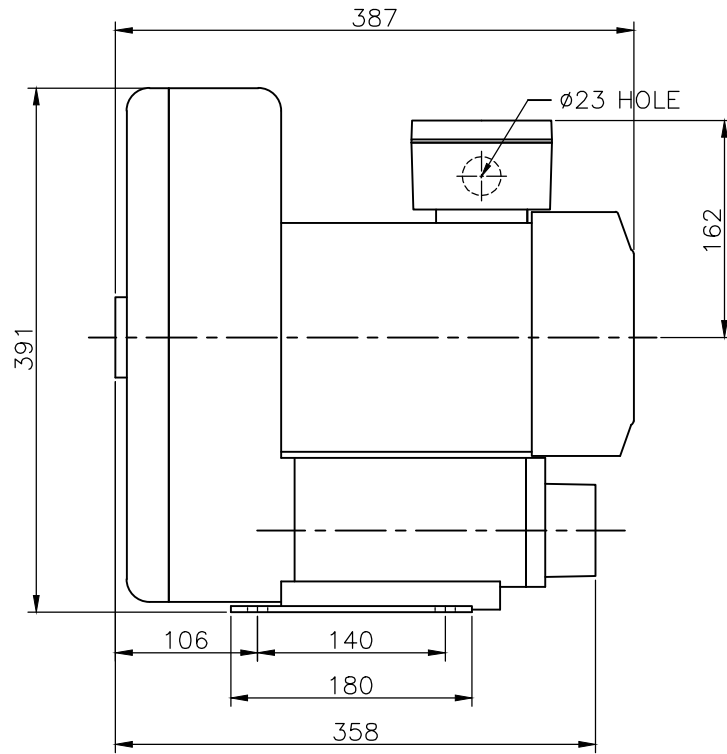



NOTE 1)

No.	PART NAME	MATERIAL	Qt'y	SIZE	REMARK
01					



No.					Revision		00		Date	Draw	Check	Appr.
형식 TYPE		HRB-600		도명 TITLE		OUTWARD DWG.						
DRAWN	DESIGN	CHECKED	APPROVED	3RD ANGLE	SCALE:1/1	UNIT:mm						
B.S.Kim				SIZE	3Ø 2P 3.7Kw							
13.04.22				도번 DWG. No	BOD00095			△				
 黄海电机 HWANG HAE ELECTRIC												