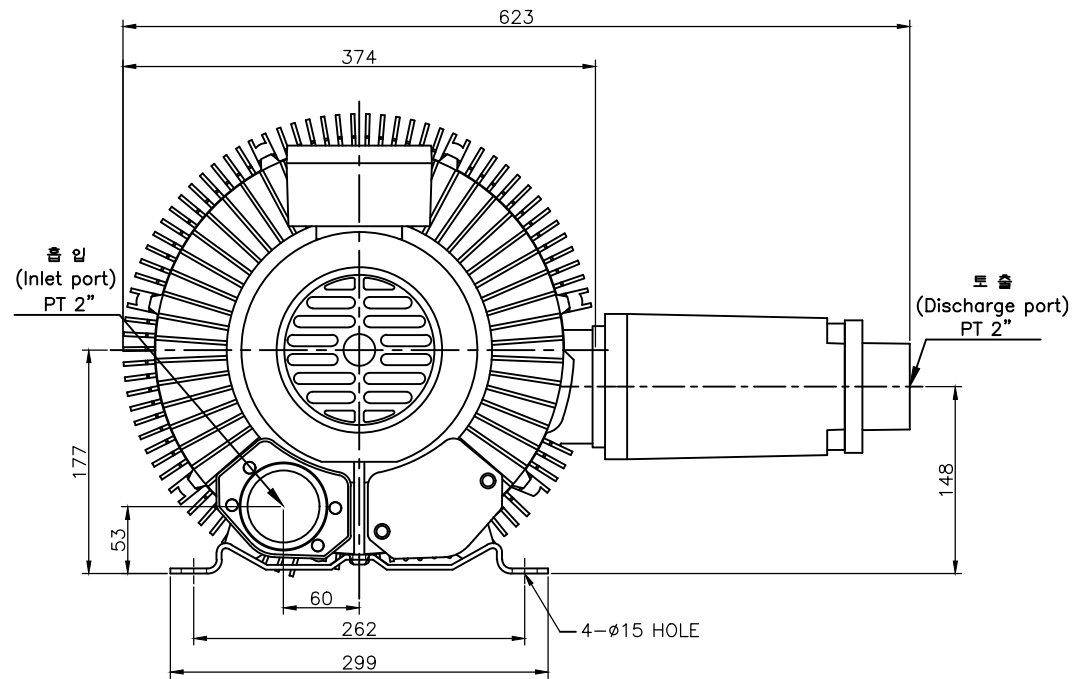
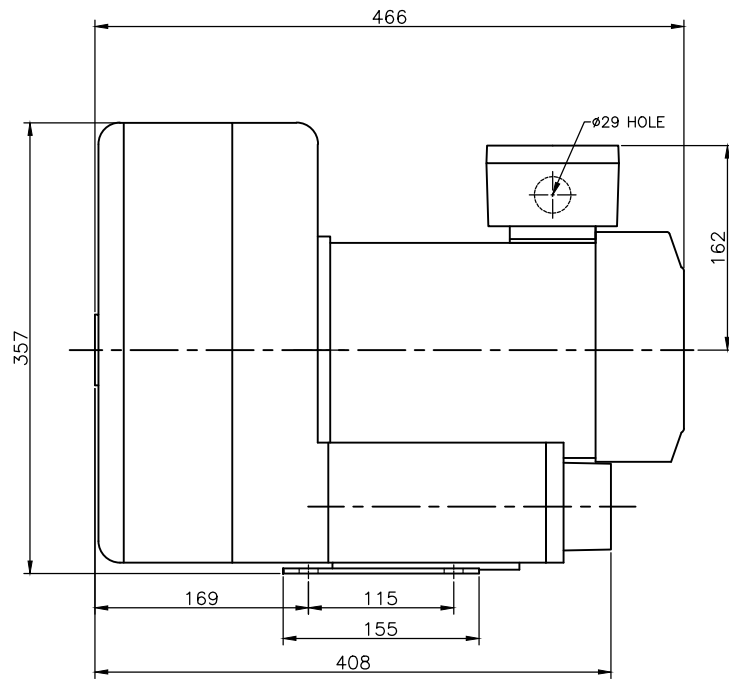


NOTE 1)

No.	PART NAME	MATERIAL	Qt'y	SIZE	REMARK
01					



△		Revision		00		Date	Draw	Check	Appr.
형식 TYPE	HRB-602MP			도명 TITLE	OUTWARD DWG.				
DRAWN	DESIGN	CHECKED	APPROVED	3RD ANGLE	SCALE:1/1	UNIT:mm			
B.S.Kim				SIZE	3φ 2P 3.7Kw				
13.04.22				도번 DWG. No.	BOD00167			△	
黃海電機 HWANG HAE ELECTRIC									