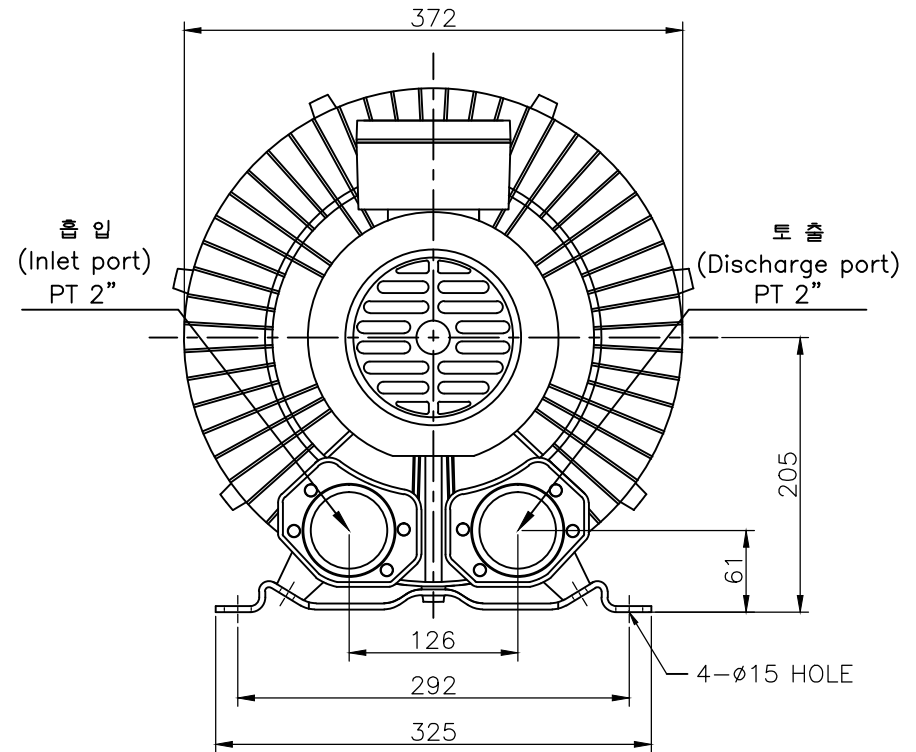
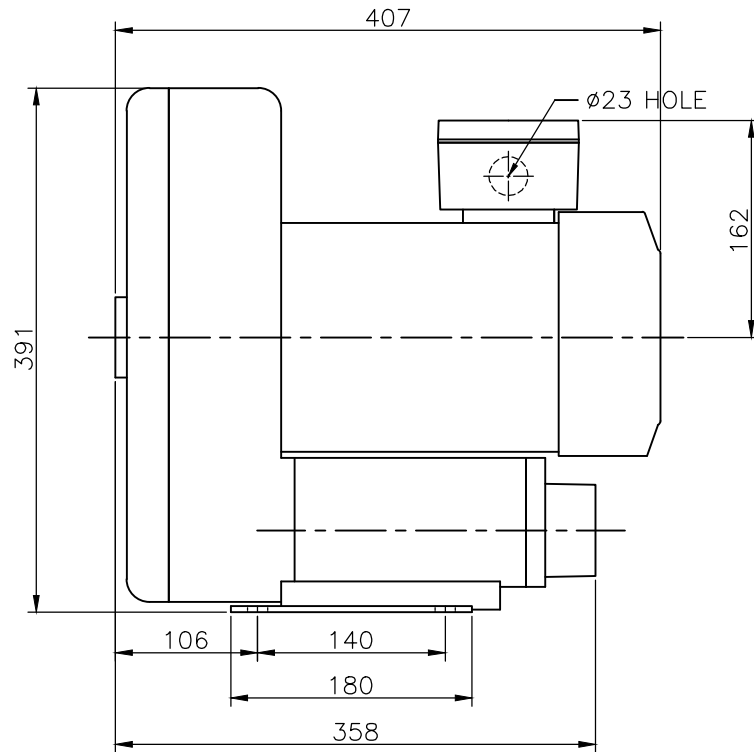


NOTE 1)

No.	PART NAME	MATERIAL	Qt'y	SIZE	REMARK
01					



No.		Revision		Date		Draw	Check	Appr.
형식 TYPE		HRB-700		도명 TITLE		OUTWARD DWG.		
DRAWN	DESIGN	CHECKED	APPROVED	3RD ANGLE	SCALE:1/1	UNIT:mm		
B.S.Kim				SIZE	3ø 2P4.5Kw			
13.04.22				DWG. No	BOD00092		△	
黃海電機 HWANG HAE ELECTRIC								