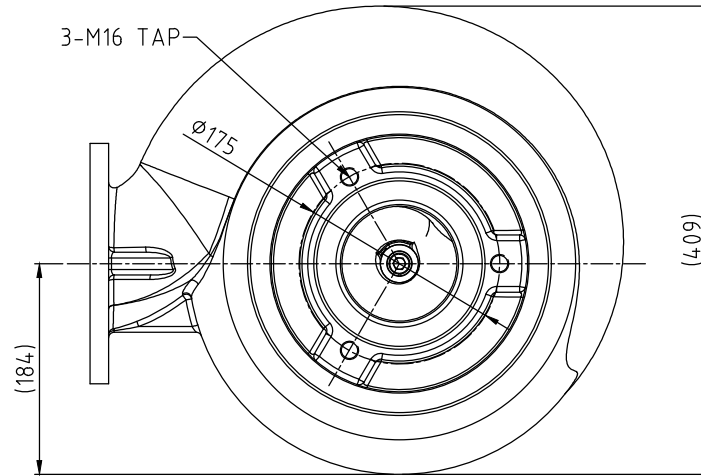
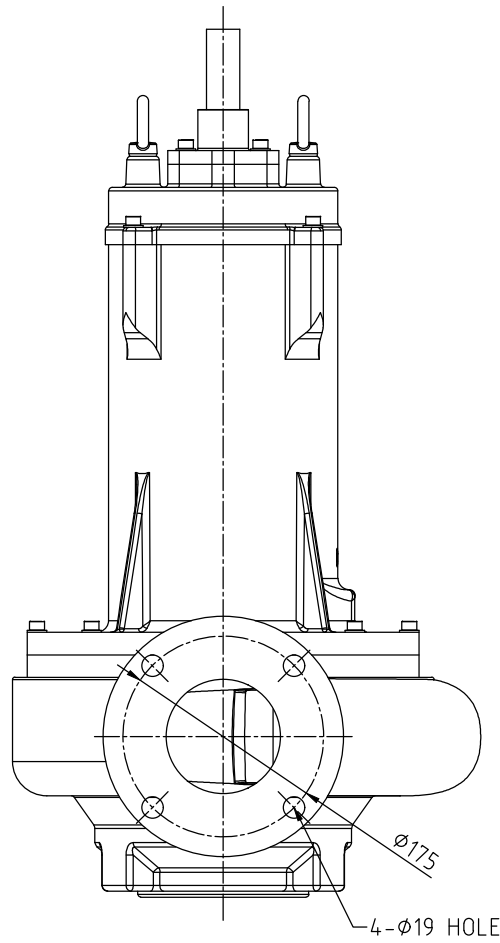
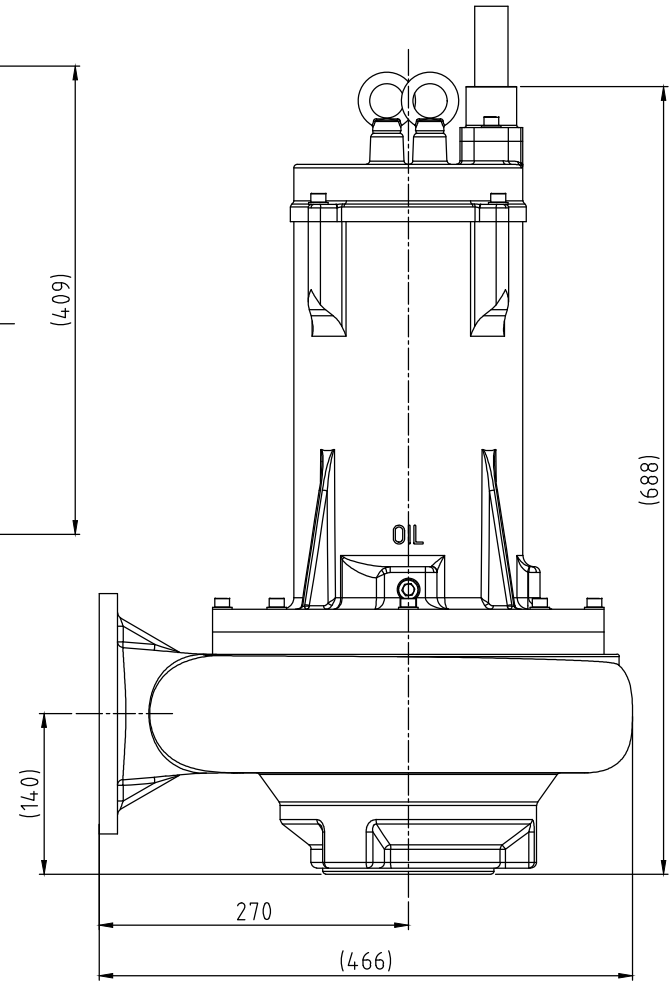


NOTE 1) 5.5kW 4P (100-100) 적용
 2) 윤활유: TUNBINE OIL / ISO VG32 - 500ml


No.	PART NAME	MATERIAL	Q'ty	SIZE	REMARK
01					



VIEW 'A'



↑ A

형식 TYPE	고효율 저진동 단일채널 수중펌프			도명 TITLE	외형도 (Outline Drawing)	
DRAWN	DESIGN	CHECKED	APPROVED	3RD ANGLE	SCALE:1/NS	UNIT:mm
H.S.Noh						HWP100-5.5 4P
20.02.14						(100-100)
 黃海電機 HWANG HAE ELECTRIC				도번 DWG. No.	POD00012	