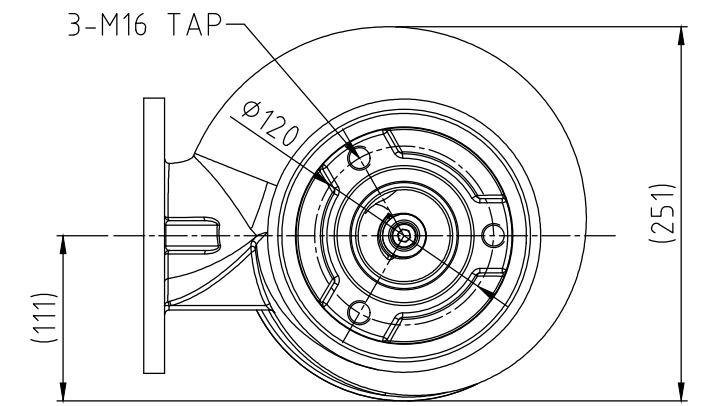
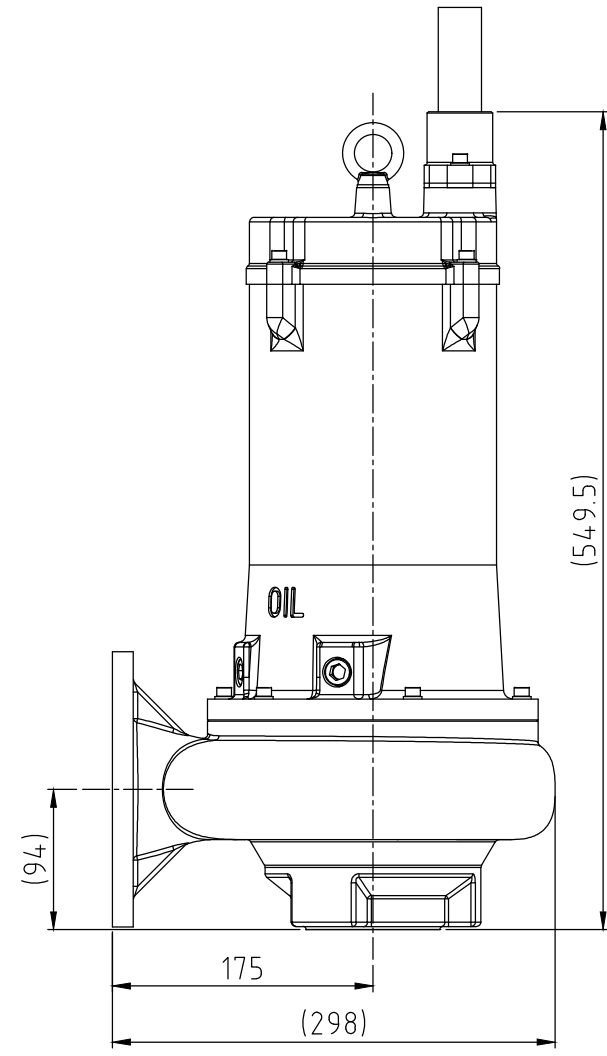
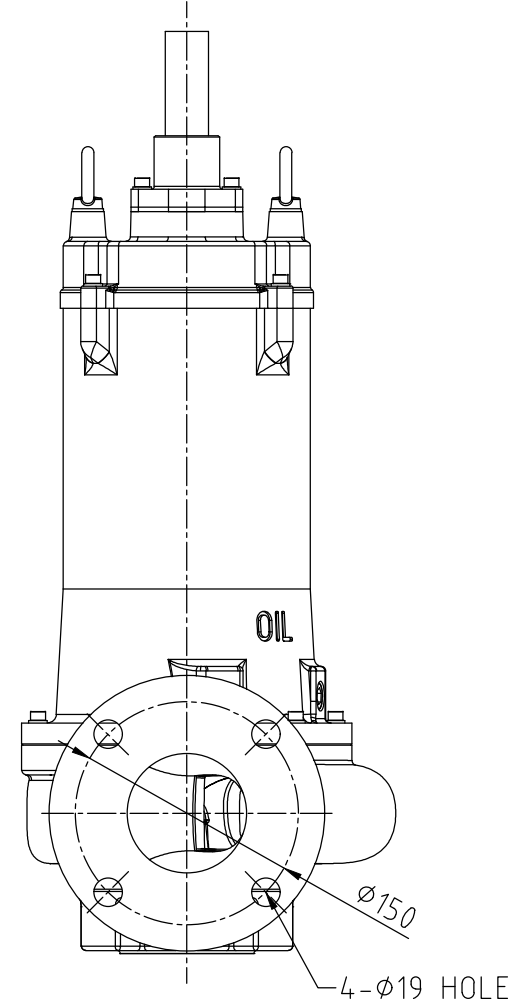



NOTE 1) 2.5kW 2P (61-80) 적용
 2) 윤활유: TUNBINE OIL / ISO VG32 - 500ml

No.	PART NAME	MATERIAL	Q't'y	SIZE	REMARK
01					



VIEW 'A'

형식 TYPE	고효율 저진동 단일채널 수중펌프			도명 TITLE	외형도 (Outline Drawing)	
DRAWN	DESIGN	CHECKED	APPROVED	3RD ANGLE	SCALE:1/NS	UNIT:mm
H.S.Noh 20.02.14				SIZE	HWP80-2.5 2P (61-80)	
 黃海電機 HWANG HAE ELECTRIC				도번 DWG. No.	POD00018	