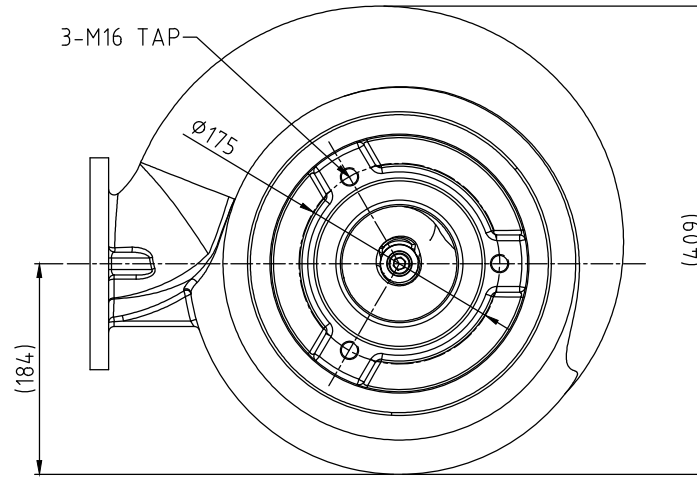
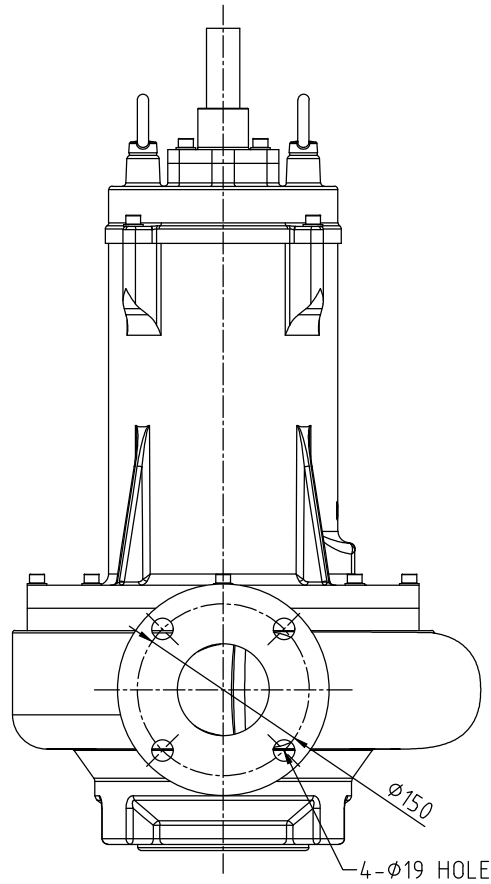
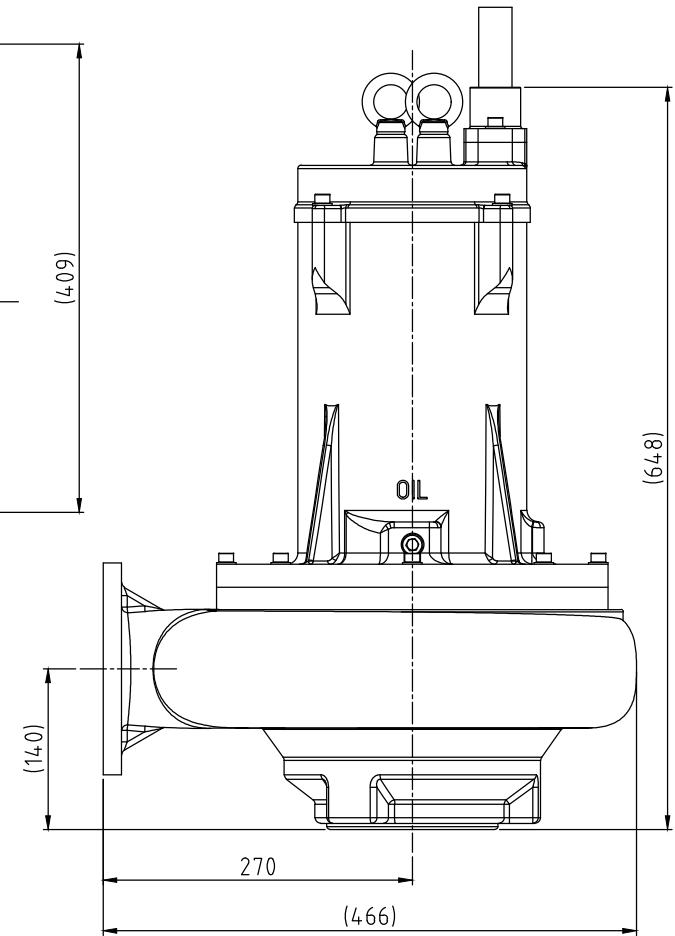


NOTE 1) 4kW 4P (100-80) 적용
 2) 윤활유: TUNBINE OIL / ISO VG32 - 500ml



| No. | PART NAME | MATERIAL | Q't'y | SIZE | REMARK |
|-----|-----------|----------|-------|------|--------|
| 01 | | | | | |



VIEW 'A'



↑ A

| | | | | | | |
|------------------------------------------------------------------------------------------------------------------|----------------------|---------|----------|----------------|--------------------------|---------------------------------------------------------------------------------------|
| 형식 TYPE | 고효율 저진동 단일채널 수중펌프 | | | 도명 TITLE | 외형도 (Outline Drawing) | |
| DRAWN | DESIGN | CHECKED | APPROVED | 3RD ANGLE | SCALE:1/NS | UNIT:mm |
| H.S.Noh | | | | SIZE | HWP80-4.0 4P (100-80) | |
| 20.02.14 | | | | | | |
|  黃海電機 HWANG HAE ELECTRIC | | | | 도번 DWG. No. | POD00013 |  |