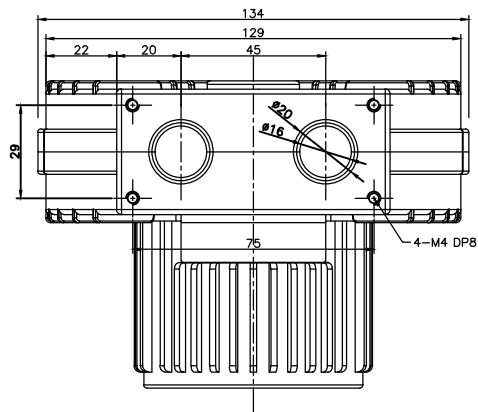
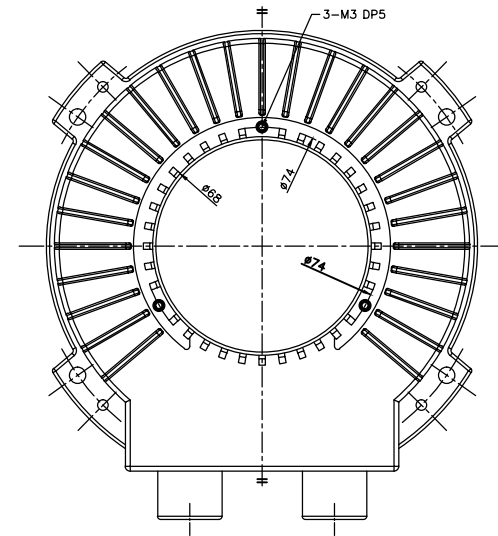
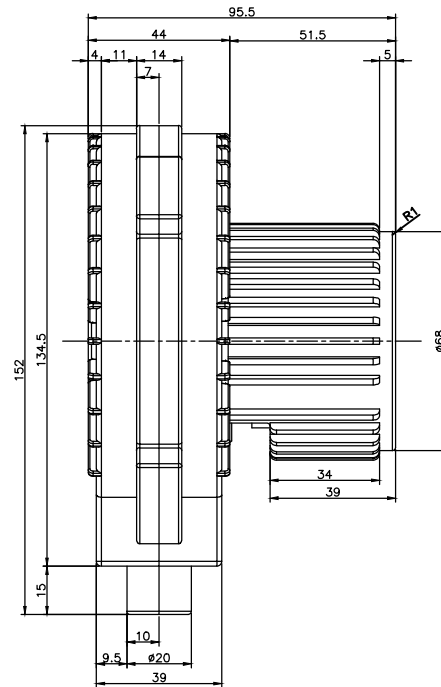
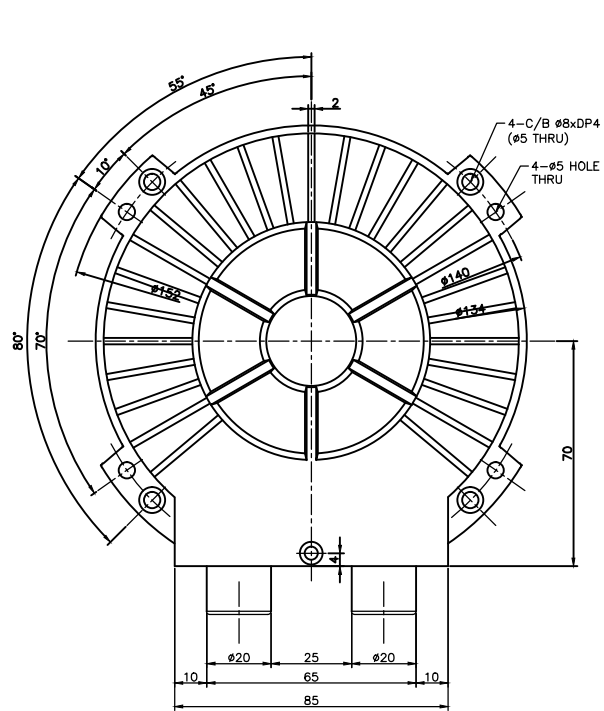


No.	PART NAME	MATERIAL	Qt'y	SIZE	REMARK
01	COMPRESSOR COVER	ALDC12.1	1		



No.	Revision	Date	Draw	Check	Appr.
		00			
형식 TYPE	MINI-H200	도명 TITLE	외형도 (OUTLINE DWG)		
DRAWN	DESIGN	CHECKED	APPROVED	3RD ANGLE	SCALE: 1/1 UNIT: mm
B.S.Kim				조립 도면	BAA00100
12.09.17				도번 DWG. No	BOD00263
黃海電機 HWANG HAE ELECTRIC					